

DATE : 05/05/2019



# ***Question Paper for NEET (UG) 2019***

Time : 3 hrs.

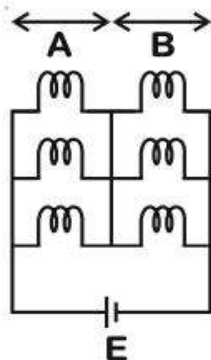
Max. Marks : 720

## **Important Instructions :**

1. The test is of **3 hours** duration and Test Booklet contains **180** questions. Each question carries **4** marks. For each correct response, the candidate will get **4** marks. For each incorrect response, **one mark** will be deducted from the total scores. The maximum marks are **720**.
2. Use **Blue / Black Ball point Pen only** for writing particulars on this page/markings responses.
3. Rough work is to be done on the space provided for this purpose in the Test Booklet only.
4. On completion of the test, the candidate must handover the Answer Sheet to the Invigilator before leaving the Room / Hall. *The candidates are allowed to take away this Test Booklet with them.*
5. The CODE for this Booklet is **P1**.
6. The candidates should ensure that the Answer Sheet is not folded. Do not make any stray marks on the Answer Sheet. Do not write your Roll No. anywhere else except in the specified space in the Test Booklet/Answer Sheet.
7. Each candidate must show on demand his/her Admission Card to the Invigilator.
8. No candidate, without special permission of the Superintendent or Invigilator, would leave his/her seat.
9. Use of Electronic/Manual Calculator is prohibited.
10. The candidates are governed by all Rules and Regulations of the examination with regard to their conduct in the Examination Hall. All cases of unfair means will be dealt with as per Rules and Regulations of this examination.
11. No part of the Test Booklet and Answer Sheet shall be detached under any circumstances.
12. The candidates will write the Correct Test Booklet Code as given in the Test Booklet / Answer Sheet in the Attendance Sheet.

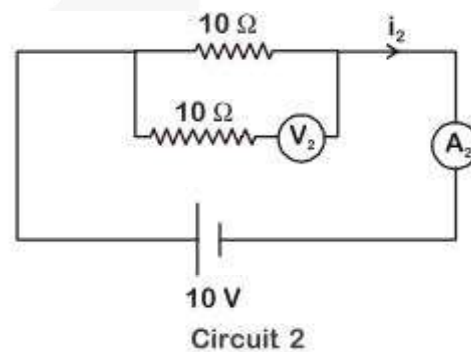
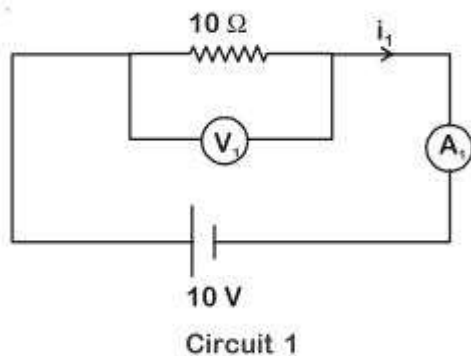
- Q1.** When a block of mass  $M$  is suspended by a long wire of length  $L$ , the length of the wire becomes  $(L + l)$ . The elastic potential energy stored in the extended wire is :
- (1)  $Mgl$                       (2)  $MgL$                       (3)  $\frac{1}{2}Mgl$                       (4)  $\frac{1}{2}MgL$
- Q2.** A mass  $m$  is attached to a thin wire and whirled in a vertical circle. The wire is most likely to break when:
- (1) The mass is at the highest point                      (2) The wire is horizontal  
(3) The mass is at the lowest point                      (4) Inclined at an angle of  $60^\circ$  from vertical
- Q3.** Ionized hydrogen atoms and  $\alpha$ -particles with same momenta enters perpendicular to a constant magnetic field,  $B$ . The ratio of their radii of their paths  $r_H : r_\alpha$  will be :
- (1)  $2 : 1$                       (2)  $1 : 2$                       (3)  $4 : 1$                       (4)  $1 : 4$
- Q4.** Body A of mass  $4m$  moving with speed  $u$  collides with another body B of mass  $2m$ , at rest. The collision is head on and elastic in nature. After the collision the fraction of energy lost by the colliding body A is :
- (1)  $\frac{1}{9}$                       (2)  $\frac{8}{9}$                       (3)  $\frac{4}{9}$                       (4)  $\frac{5}{9}$
- Q5.** In a double slit experiment, when light of wavelength  $400 \text{ nm}$  was used, the angular width of the first minima formed on a screen placed  $1 \text{ m}$  away, was found to be  $0.2^\circ$ . What will be the angular width of the first minima, if the entire experimental apparatus is immersed in water? ( $\mu_{\text{water}} = 4/3$ )
- (1)  $0.266^\circ$                       (2)  $0.15^\circ$                       (3)  $0.05^\circ$                       (4)  $0.1^\circ$
- Q6.** In which of the following devices, the eddy current effect is not used?
- (1) Induction furnace                      (2) Magnetic braking in train  
(3) Electromagnet                      (4) Electric heater
- Q7.** A soap bubble, having radius of  $1 \text{ mm}$ , is blown from a detergent solution having a surface tension of  $2.5 \times 10^{-2} \text{ N/m}$ . The pressure inside the bubble equals at a point  $Z_0$  below the free surface of water in a container. Taking  $g = 10 \text{ m/s}^2$ , density of water =  $10^3 \text{ kg/m}^3$ , the value of  $Z_0$  is :
- (1)  $100 \text{ cm}$                       (2)  $10 \text{ cm}$                       (3)  $1 \text{ cm}$                       (4)  $0.5 \text{ cm}$
- Q8.** Which colour of the light has the longest wavelength?
- (1) Red                      (2) Blue                      (3) Green                      (4) Violet
- Q9.** A disc of radius  $2 \text{ m}$  and mass  $100 \text{ kg}$  rolls on a horizontal floor. Its centre of mass has speed of  $20 \text{ cm/s}$ . How much work is needed to stop it?
- (1)  $3 \text{ J}$                       (2)  $30 \text{ kJ}$                       (3)  $2 \text{ J}$                       (4)  $1 \text{ J}$

- Q10.** The displacement of a particle executing simple harmonic motion is given by  $y = A_0 + A \sin \omega t + B \cos \omega t$ . Then the amplitude of its oscillation is given by :
- (1)  $A_0 + \sqrt{A^2 + B^2}$       (2)  $\sqrt{A^2 + B^2}$       (3)  $\sqrt{A_0^2 + (A + B)^2}$       (4)  $A + B$
- Q11.** Two similar thin equi-convex lenses, of focal length  $f$  each, are kept coaxially in contact with each other such that the focal length of the combination is  $F_1$ . When the space between the two lenses is filled with glycerine (which has the same refractive index ( $\mu = 1.5$ ) as that of glass) then the equivalent focal length is  $F_2$ . The ratio  $F_1 : F_2$  will be :
- (1) 2 : 1      (2) 1 : 2      (3) 2 : 3      (4) 3 : 4
- Q12.** Increase in temperature of a gas filled in a container would lead to :
- (1) Increase in its mass      (2) Increase in its kinetic energy  
(3) Decrease in its pressure      (4) Decrease in intermolecular distance
- Q13.** An electron is accelerated through a potential difference of 10,000 V. Its de Broglie wavelength is, (nearly) : ( $m_e = 9 \times 10^{-31}$  kg)
- (1)  $12.2 \times 10^{-13}$  m      (2)  $12.2 \times 10^{-12}$  m  
(3)  $12.2 \times 10^{-14}$  m      (4) 12.2 nm
- Q14.** A copper rod of 88 cm and an aluminium rod of unknown length have their increase in length independent of increase in temperature. The length of aluminium rod is :  
( $\alpha_{Cu} = 1.7 \times 10^{-5} \text{ K}^{-1}$  and  $\alpha_{Al} = 2.2 \times 10^{-5} \text{ K}^{-1}$ )
- (1) 6.8 cm      (2) 113.9 cm      (3) 88 cm      (4) 68 cm
- Q15.** Pick the wrong answer in the context with rainbow.
- (1) When the light rays undergo two internal reflections in a water drop, a secondary rainbow is formed  
(2) The order of colours is reversed in the secondary rainbow  
(3) An observer can see a rainbow when his front is towards the sun  
(4) Rainbow is a combined effect of dispersion refraction and reflection of sunlight
- Q16.** A body weighs 200 N on the surface of the earth. How much will it weigh half way down to the centre of the earth ?
- (1) 150 N      (2) 200 N      (3) 250 N      (4) 100 N
- Q17.** Six similar bulbs are connected as shown in the figure with a DC source of emf  $E$  and zero internal resistance. The ratio of power consumption by the bulbs when
- (i) all are glowing and  
(ii) in the situation when two from section A and one from section B are glowing, will be :



- (1) 4 : 9      (2) 9 : 4      (3) 1 : 2      (4) 2 : 1

- Q18.** For a p-type semiconductor, which of the following statements is true ?  
 (1) Electrons are the majority carriers and trivalent atoms are the dopants.  
 (2) Holes are the majority carriers and trivalent atoms are the dopants.  
 (3) Holes are the majority carriers and pentavalent atoms are the dopants.  
 (4) Electrons are the majority carriers and pentavalent atoms are the dopants.
- Q19.** Average velocity of a particle executing SHM in one complete vibration is :  
 (1)  $\frac{A\omega}{2}$                       (2)  $A\omega$                       (3)  $\frac{A\omega^2}{2}$                       (4) Zero
- Q20.** The unit of thermal conductivity is :  
 (1)  $\text{J m K}^{-1}$                       (2)  $\text{J m}^{-1} \text{K}^{-1}$                       (3)  $\text{W m K}^{-1}$                       (4)  $\text{W m}^{-1} \text{K}^{-1}$
- Q21.** A solid cylinder of mass 2 kg and radius 4 cm rotating about its axis at the rate of 3 rpm. The torque required to stop after  $2\pi$  revolutions is  
 (1)  $2 \times 10^{-6} \text{ N m}$                       (2)  $2 \times 10^{-3} \text{ N m}$   
 (3)  $12 \times 10^{-4} \text{ N m}$                       (4)  $2 \times 10^6 \text{ N m}$
- Q22.** A force  $F = 20 + 10y$  acts on a particle in y-direction where F is in newton and y in meter. Work done by this force to move the particle from  $y = 0$  to  $y = 1$  m is  
 (1) 30 J                      (2) 5 J                      (3) 25 J                      (4) 20 J
- Q23.** Which of the following acts as a circuit protecting device?  
 (1) Conductor                      (2) Inductor                      (3) Switch                      (4) Fuse
- Q24.** In the circuits shown below, the readings of voltmeters and the ammeters will be-



- (1)  $V_2 > V_1$  and  $i_1 = i_2$                       (2)  $V_1 = V_2$  and  $i_1 > i_2$   
 (3)  $V_1 = V_2$  and  $i_1 = i_2$                       (4)  $V_2 > V_1$  and  $i_1 > i_2$
- Q25.** A hollow metal sphere of radius R is uniformly charged. The electric field due to the sphere at a distance r from the centre  
 (1) Increases as r increases for  $r < R$  and for  $r > R$   
 (2) Zero as r increases for  $r < R$ , decreases as r increases for  $r > R$   
 (3) Zero as r increases for  $r < R$ , increases as r increases for  $r > R$   
 (4) Decreases as r increases for  $r < R$  and for  $r > R$

**Q26.** At a point A on the earth's surface the angle of dip,  $\delta = +25^\circ$ . At a point B on the earth's surface the angle of dip,  $\delta = -25^\circ$ . We can interpret that:

- (1) A and B are both located in the northern hemisphere.
- (2) A is located in the southern hemisphere and B is located in the northern hemisphere.
- (3) A is located in the northern hemisphere and B is located in the southern hemisphere.
- (4) A and B are both located in the southern hemisphere.

**Q27.** The total energy of an electron in an atom in an orbit is  $-3.4$  eV. Its kinetic and potential energies are, respectively:

- (1)  $-3.4$  eV,  $-3.4$  eV
- (2)  $-3.4$  eV,  $-6.8$  eV
- (3)  $3.4$  eV,  $-6.8$  eV
- (4)  $3.4$  eV,  $3.4$  eV

**Q28.** In total internal reflection when the angle of incidence is equal to the critical angle for the pair of media in contact, what will be angle of refraction?

- (1)  $180^\circ$
- (2)  $0^\circ$
- (3) Equal to angle of incidence
- (4)  $90^\circ$

**Q29.** The work done to raise a mass  $m$  from the surface of the earth to a height  $h$ , which is equal to the radius of the earth, is:

- (1)  $mgR$
- (2)  $2mgR$
- (3)  $\frac{1}{2}mgR$
- (4)  $\frac{3}{2}mgR$

**Q30.** When an object is shot from the bottom of a long smooth inclined plane kept at an angle  $60^\circ$  with horizontal, it can travel a distance  $x_1$  along the plane. But when the inclination is decreased to  $30^\circ$  and the same object is shot with the same velocity, it can travel  $x_2$  distance. Then  $x_1 : x_2$  will be:

- (1)  $1 : \sqrt{2}$
- (2)  $\sqrt{2} : 1$
- (3)  $1 : \sqrt{3}$
- (4)  $1 : 2\sqrt{3}$

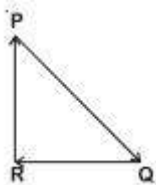
**Q31.**  $\alpha$ -particle consists of:

- (1) 2 protons and 2 neutrons only
- (2) 2 electrons, 2 protons and 2 neutrons
- (3) 2 electrons and 4 protons only
- (4) 2 protons only

**Q32.** The speed of a swimmer in still water is  $20$  m/s. The speed of river water is  $10$  m/s and is flowing due east. If he is standing on the south bank and wishes to cross the river along the shortest path the angle at which he should make his strokes w.r.t. north is given by:

- (1)  $30^\circ$  west
- (2)  $0^\circ$
- (3)  $60^\circ$  west
- (4)  $45^\circ$  west

**Q33.** A particle moving with velocity  $\vec{V}$  is acted by three forces shown by the vector triangle PQR. The velocity of the particle will:



- (1) Increase
- (2) Decrease
- (3) Remain constant
- (4) Change according to the smallest force  $\overline{QR}$

**Q34.** Two particles A and B are moving in uniform circular motion in concentric circles of radii  $r_A$  and  $r_B$  with speed  $v_A$  and  $v_B$  respectively. Their time period of rotation is the same. The ratio of angular speed of A to that of B will be :

- (1)  $r_A : r_B$                       (2)  $v_A : v_B$                       (3)  $r_B : r_A$                       (4) 1 : 1

**Q35.** A block of mass 10 kg is in contact against the inner wall of a hollow cylindrical drum of radius 1 m. The coefficient of friction between the block and the inner wall of the cylinder is 0.1. The minimum angular velocity needed for the cylinder to keep the block stationary when the cylinder is vertical and rotating about its axis, will be: ( $g = 10 \text{ m/s}^2$ )

- (1)  $\sqrt{10} \text{ rad/s}$                       (2)  $\frac{10}{2\pi} \text{ rad/s}$                       (3) 10 rad/s                      (4)  $10\pi \text{ rad/s}$

**Q36.** Two parallel infinite line charges with linear charge densities  $+\lambda \text{ C/m}$  and  $-\lambda \text{ C/m}$  are placed at a distance of  $2R$  in free space. What is the electric field mid-way between the two line charges?

- (1) Zero                      (2)  $\frac{2\lambda}{\pi\epsilon_0 R} \text{ N/C}$                       (3)  $\frac{\lambda}{\pi\epsilon_0 R} \text{ N/C}$                       (4)  $\frac{\lambda}{2\pi\epsilon_0 R} \text{ N/C}$

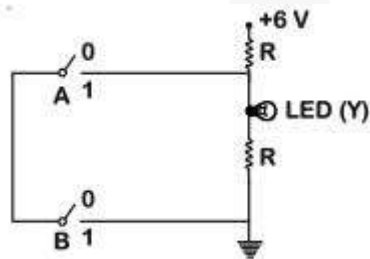
**Q37.** Two point charges A and B, having charges  $+Q$  and  $-Q$  respectively, are placed at certain distance apart and force acting between them is  $F$ . If 25% charge of A is transferred to B, then force between the charges becomes :

- (1)  $F$                       (2)  $\frac{9F}{16}$                       (3)  $\frac{16F}{9}$                       (4)  $\frac{4F}{3}$

**Q38.** A small hole of area of cross-section  $2 \text{ mm}^2$  is present near the bottom of a fully filled open tank of height 2 m. Taking  $g = 10 \text{ m/s}^2$ , the rate of flow of water through the open hole would be nearly

- (1)  $12.6 \times 10^{-6} \text{ m}^3/\text{s}$                       (2)  $8.9 \times 10^{-6} \text{ m}^3/\text{s}$   
(3)  $2.23 \times 10^{-6} \text{ m}^3/\text{s}$                       (4)  $6.4 \times 10^{-6} \text{ m}^3/\text{s}$

**Q39.**



The correct Boolean operation represented by the circuit diagram drawn is :

- (1) AND                      (2) OR                      (3) NAND                      (4) NOR

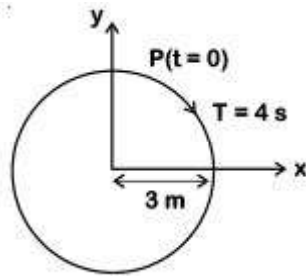
**Q40.** In which of the following processes, heat is neither absorbed nor released by a system?

- (1) Isothermal                      (2) Adiabatic                      (3) Isobaric                      (4) Isochoric

**Q41.** A 800 turn coil of effective area  $0.05 \text{ m}^2$  is kept perpendicular to a magnetic field  $5 \times 10^{-5} \text{ T}$ . When the plane of the coil is rotated by  $90^\circ$  around any of its coplanar axis in 0.1 s, the emf induced in the coil will be:

- (1) 2 V                      (2) 0.2 V                      (3)  $2 \times 10^{-3} \text{ V}$                       (4) 0.02 V

- Q42.** The radius of circle, the period of revolution, initial position and sense of revolution are indicated in the fig.



$y$  - projection of the radius vector of rotating particle P is :

- (1)  $y(t) = -3 \cos 2\pi t$ , where  $y$  in m      (2)  $y(t) = 4 \sin\left(\frac{\pi t}{2}\right)$ , where  $y$  in m  
 (3)  $y(t) = 3 \cos\left(\frac{3\pi t}{2}\right)$ , where  $y$  in m      (4)  $y(t) = 3 \cos\left(\frac{\pi t}{2}\right)$ , where  $y$  in m

- Q43.** A parallel plate capacitor of capacitance  $20 \mu\text{F}$  is being charged by a voltage source whose potential is changing at the rate of  $3 \text{ V/s}$ . The conduction current through the connecting wires, and the displacement current through the plates of the capacitor, would be, respectively.

- (1) Zero,  $60 \mu\text{A}$       (2)  $60 \mu\text{A}$ ,  $60 \mu\text{A}$       (3)  $60 \mu\text{A}$ , zero      (4) Zero, zero

- Q44.** In an experiment, the percentage of error occurred in the measurement of physical quantities A, B, C and D are 1%, 2%, 3% and 4% respectively. Then the maximum percentage of error in the measurement X, where  $X = \frac{A^2 B^{1/2}}{C^{1/3} D^3}$  will be

- (1)  $\left(\frac{3}{13}\right)\%$       (2) 16%      (3) - 10%      (4) 10%

- Q45.** A cylindrical conductor of radius R is carrying a constant current. The plot of the magnitude of the magnetic field B with the distance d from the centre of the conductor, is correctly represented by the figure :

